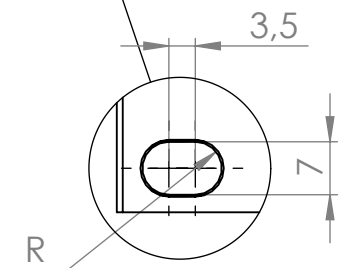
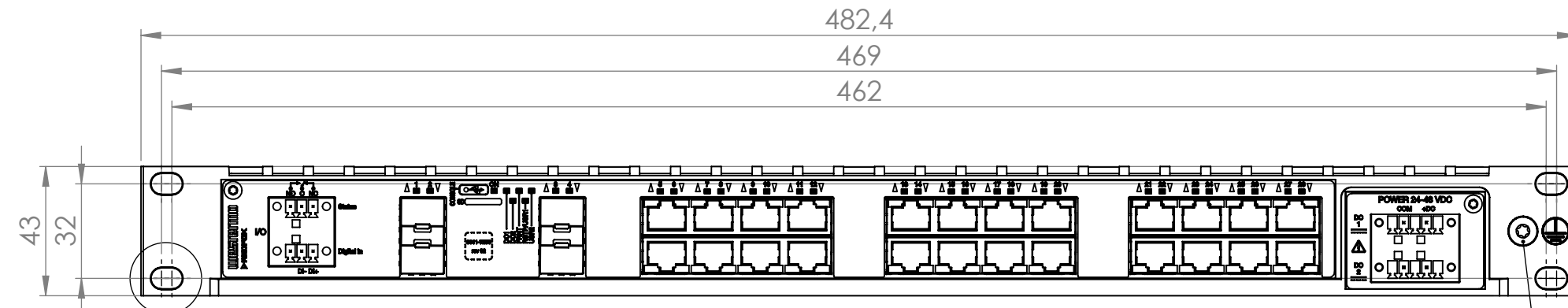
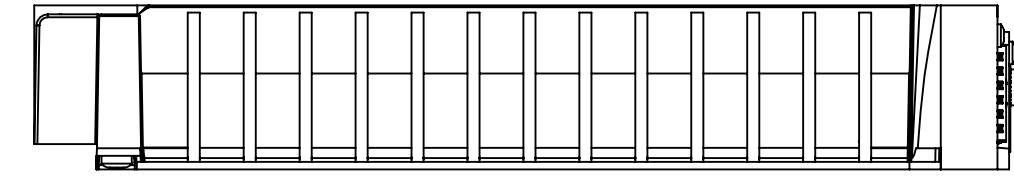


REVISIONS			Designer	Approved	Date
Rev	Description		KTN	KU	2021-06-30
01	Created				

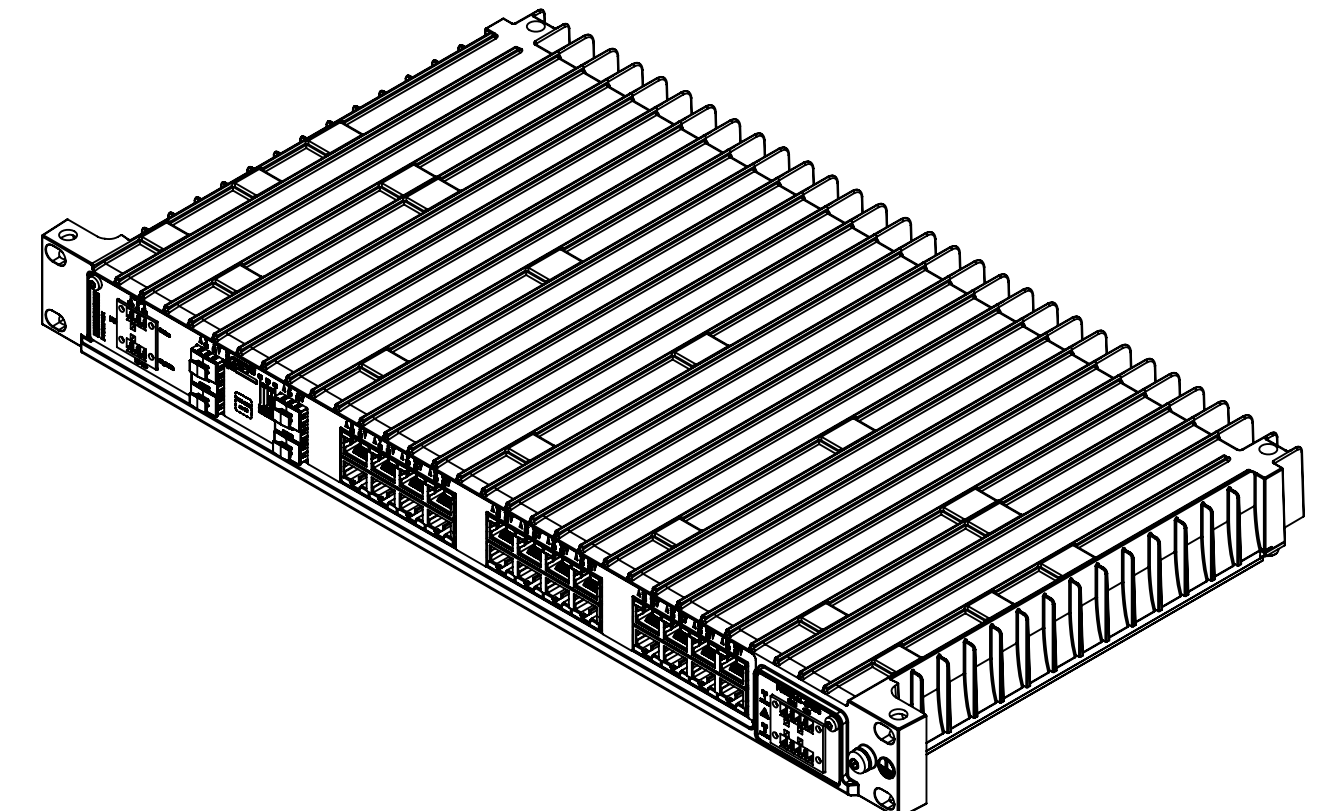
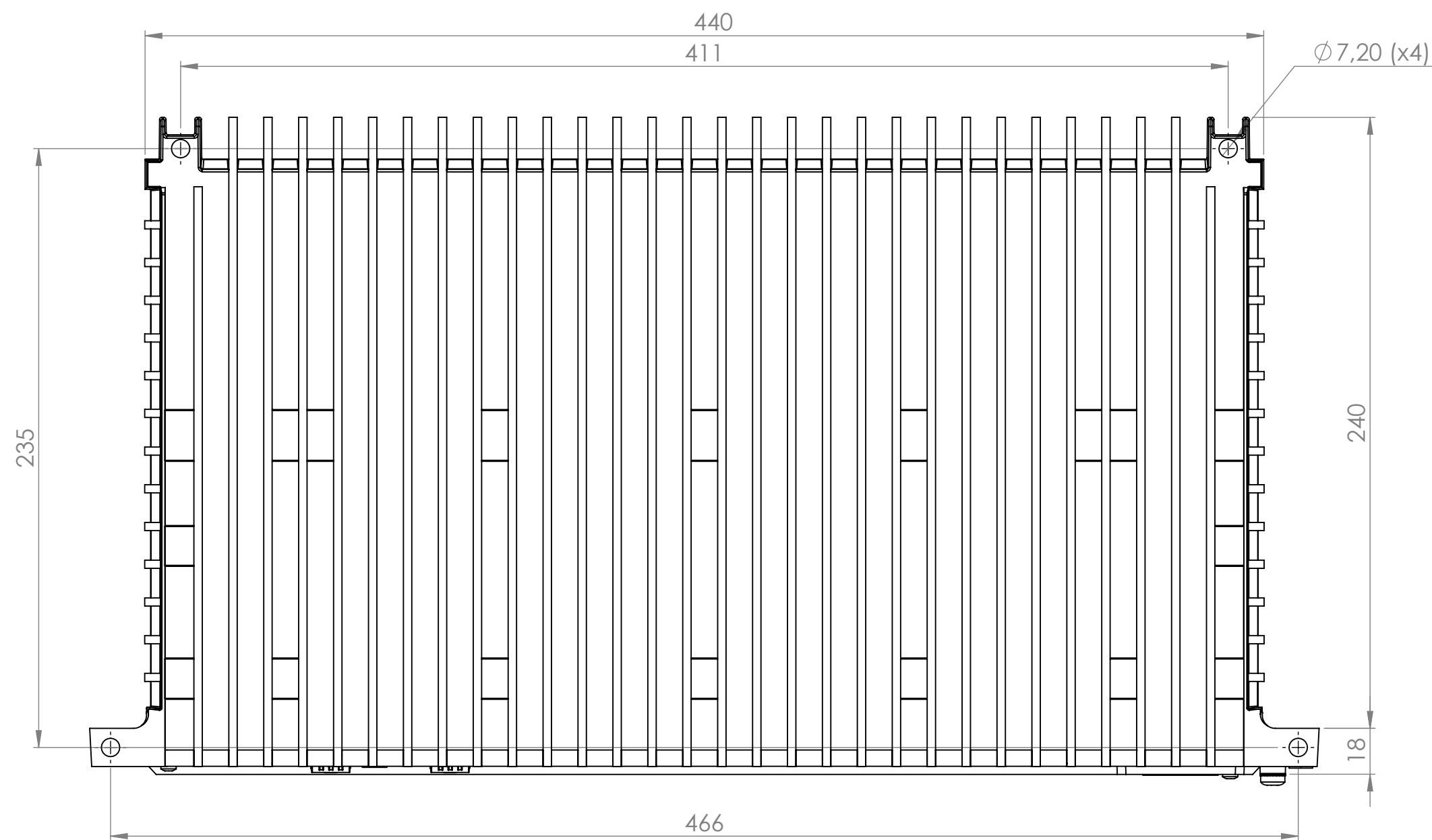
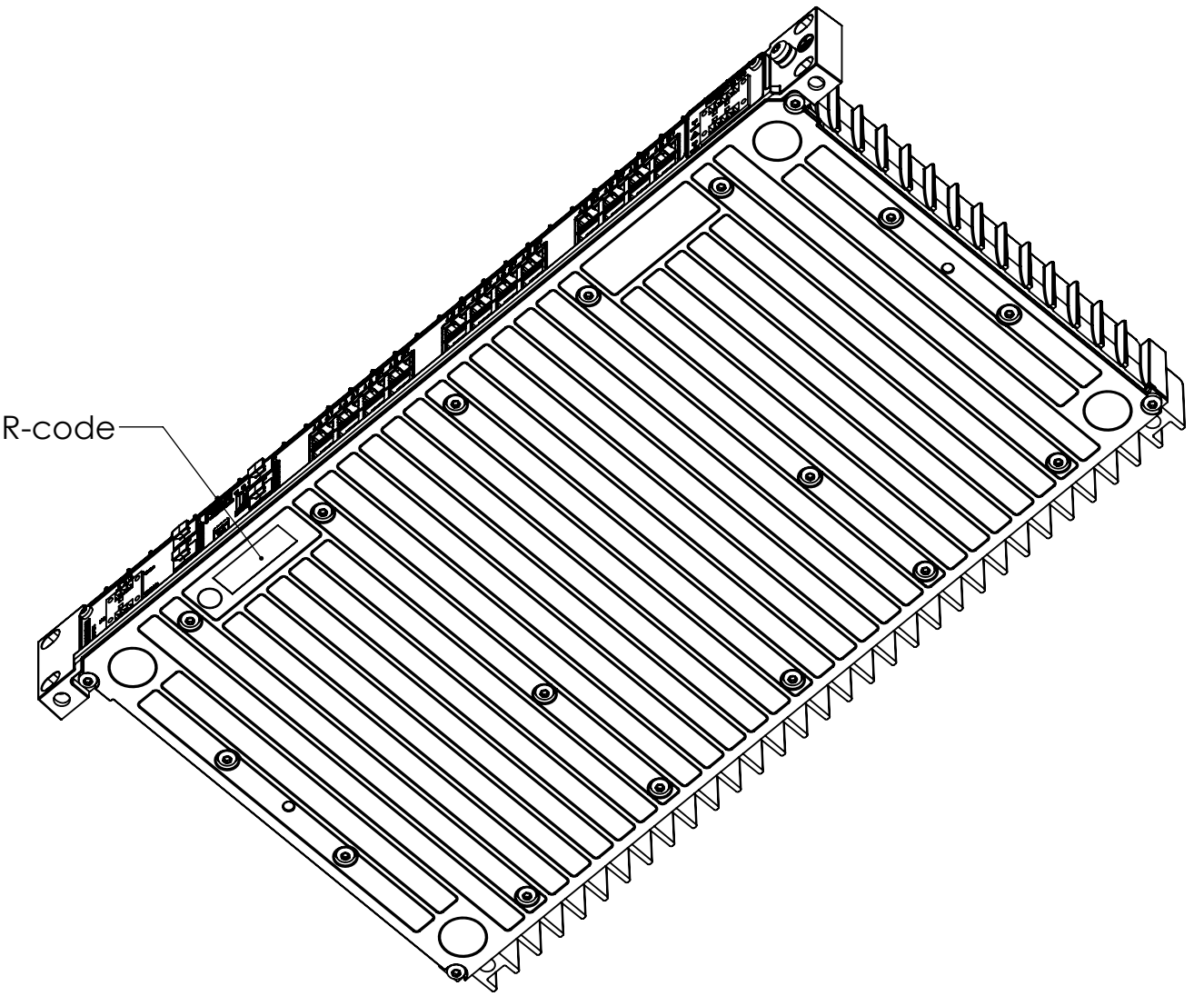


DETAIL A  
SCALE 1 : 1



grounding screw M5x10

Label: P/N, Type, Power, MAC, S/N, QR-code



	<b>RedFox 5728-F4G-T24G-LV</b>	Designer KTN	Approved KLI	Date 2021-06-30	Scale 1:2	Sheet 1(1)
		Drawing No. 3641-4350-UD-01			Status Approved	